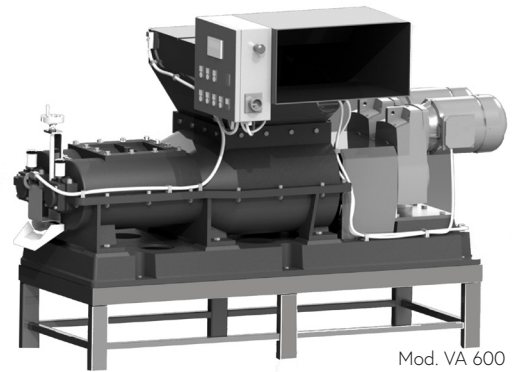


Welcome to the world of High Security Shredding Level P-7

- Our high security paper shredders are designed to destroy complete files up to **SECURITY LEVEL P-7** (acc. DIN 66399).
- Robust, solide and easy to operate.
- Patented and certified!
- Available with/without pre-shredder, conveyor belt and/or tilting device.
- Our patented shredders operate with a specially designed and load-dependent water injection system, which eliminates the need for a sieve to control the particle size.
- While P-7 is guaranteed, undesirable working conditions have been eliminated. No dust, no fire hazard and virtually no wear to the knife assembly.



	Model IV	Model VA 600
Security Level (DIN 66399)	P-7 / P-6 / P-5	P-7 / P-6 / P-5
Capacity per hour:	180 kg	750 kg
Suited for:	loose paper (with paperclip), folders	loose paper (with paperclip), folders
Required utilities:	water: 1/2" fitting	water: 1/2" fitting
Power:	32 Amp, 400 V	63 Amp, 400 V
Shaft rotation:	slow moving	slow moving
Noise level:	< 80 dB(A)	< 80 dB(A)
Dust:	NO	NO
Fire hazard:	NO	NO
Exhaust system required:	NO	NO
Sieve:	NO	NO
Maintenance:	Low	Low
TÜV certified	YES	YES
BSI listed:	YES	YES
Pre-shredder possible:	YES	YES
with pre-shredder suited for:	Loose paper and/or complete files	Loose paper and/or complete files

- Please contact us to get more information about your own P-5 / P-6 / P-7 shredder.
- We serve customers across all industries to save what is important - also with our ON-SITE service.